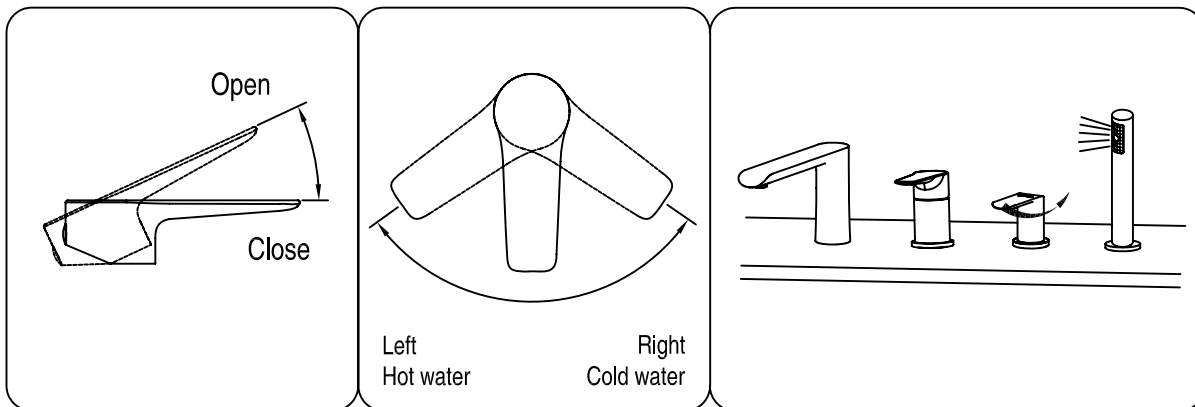


※Installation Procedures

- ☆ Make sure the installation holes to be in right size;
- ☆ Install the lavatory faucet and pop-up waste as per drawing, connect the main body & water supply pipe with water inlet pipe.



※Usage

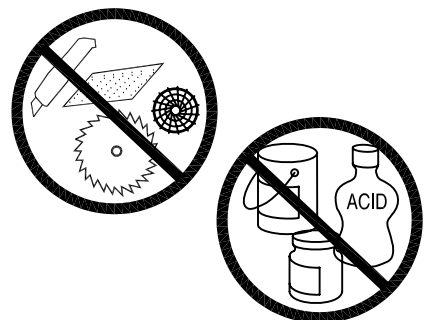
☆How to operate the handle

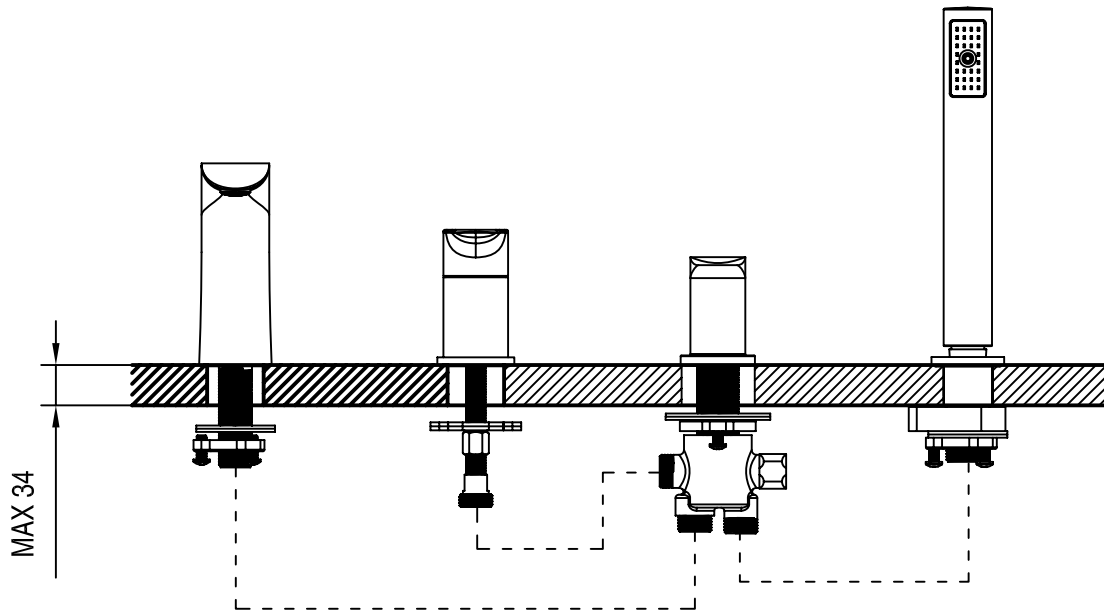
- 1) Raise the handle up for opening water; push it down for close;
- 2) Turn the handle to the left to increase hot water flow for higher water temperature, and lower water temperature by operating reversely.

※Cleaning & Maintenance

☆ To keep the product clean & shining, follow the as below:

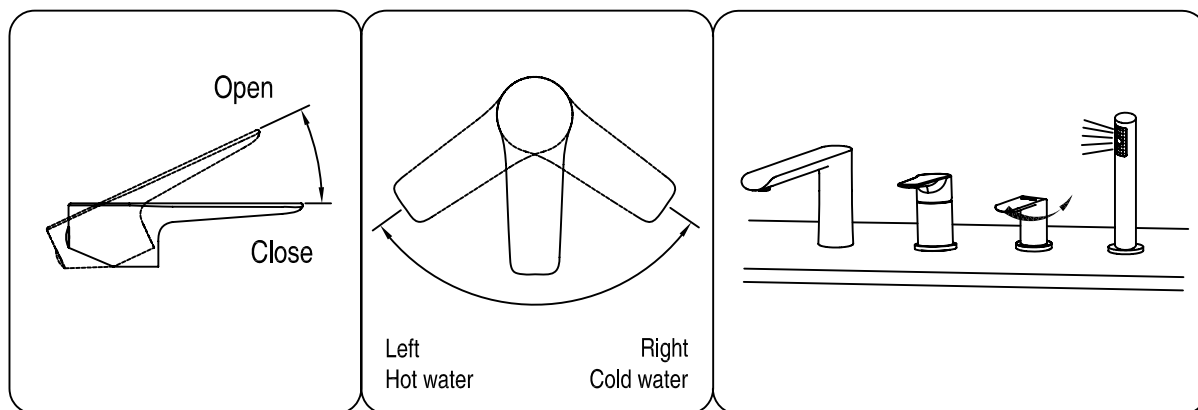
1. Flush with clean water & dry with soft cloth only;
2. If any dirt, clean with soft liquid or transparent glass detergent;
3. Do not use any scrubbing detergent, polisher, sand-cloth, paper tissue or scraper;
4. Do not use acid detergent, indissolvable grain-like detergent or soap;
5. Disassemble the aerator with a coin and clean it when necessary.





※Installation Procedures

- ☆ Make sure the installation holes to be in right size;
- ☆ Install the lavatory faucet and pop-up waste as per drawing, connect the main body & water supply pipe with water inlet pipe.



※Usage

- ☆How to operate the handle
 - 1) Raise the handle up for opening water; push it down for close;
 - 2) Turn the handle to the left to increase hot water flow for higher water temperature, and lower water temperature by operating reversely.

※Cleaning & Maintenance

- ☆ To keep the product clean & shining, follow the as below:
 1. Flush with clean water & dry with soft cloth only;
 2. If any dirt, clean with soft liquid or transparent glass detergent;
 3. Do not use any scrubbing detergent, polisher, sane-cloth, paper tissue or scraper;
 4. Do not use acid detergent, indissolvable grain-like detergent or soap;
 5. Disassemble the aerator with a coin and clean it when necessary.

