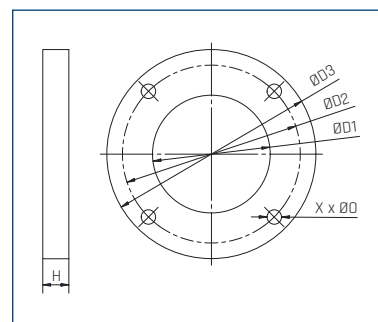


## Kołnierz do spawania



WYMIARY [mm]

| Typ          | ØD1 | ØD2 | ØD3 | H  | X | Ø0  | nr artykułu |
|--------------|-----|-----|-----|----|---|-----|-------------|
| SC10         | 45  | 68  | 80  | 10 | 4 | 5,5 | 45516500    |
| SC20         | 45  | 68  | 80  | 10 | 4 | 5,5 | 45516500    |
| DSC/PSC/SC30 | 58  | 85  | 104 | 10 | 4 | 6,5 | 45516510    |
| DSC/PSC/SC40 | 75  | 110 | 130 | 10 | 4 | 9,0 | 45516520    |
| SC50/SC46    | 100 | 130 | 150 | 10 | 4 | 9,0 | 45516530    |

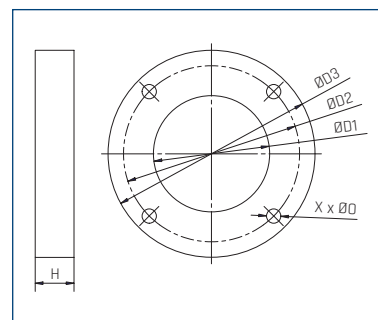


## Kołnierz gwintowany

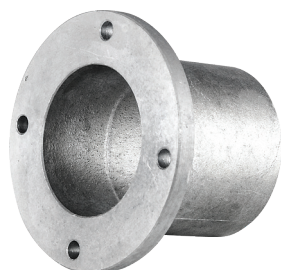


WYMIARY [mm]

| Typ          | ØD1        | ØD2 | ØD3 | H  | X | Ø0  | nr artykułu |
|--------------|------------|-----|-----|----|---|-----|-------------|
| SC10         | R1 1/2"x15 | 68  | 80  | 15 | 4 | 5,5 | 45516600    |
| SC20         | R1 1/2"x15 | 68  | 80  | 15 | 4 | 5,5 | 45516600    |
| DSC/PSC/SC30 | R2"x15     | 85  | 104 | 15 | 4 | 6,5 | 45516610    |
| DSC/PSC/SC40 | R2 1/2"x20 | 110 | 130 | 20 | 4 | 9,0 | 45516620    |
| SC50/SC46    | R3 1/2"x20 | 130 | 150 | 20 | 4 | 9,0 | 45516630    |

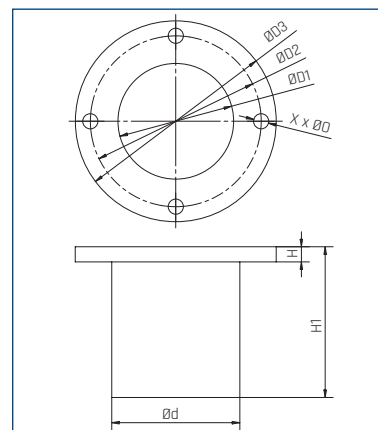


## Króciec

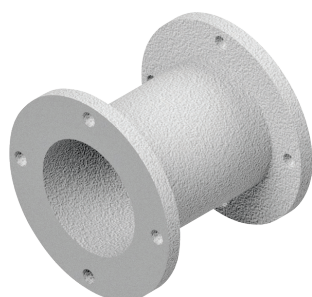


WYMIARY [mm]

| Typ          | Ød  | ØD1 | ØD2 | ØD3 | H  | H1 | X | Ø0  | nr artykułu |
|--------------|-----|-----|-----|-----|----|----|---|-----|-------------|
| SC10         | 51  | 46  | 68  | 80  | 6  | 60 | 4 | 6,0 | 46515210    |
| SC20         | 51  | 46  | 68  | 80  | 6  | 60 | 4 | 6,0 | 46515210    |
| DSC/PSC/SC30 | 63  | 57  | 85  | 100 | 6  | 60 | 4 | 7,0 | 46515220    |
| DSC/PSC/SC40 | 76  | 70  | 110 | 130 | 10 | 60 | 4 | 9,0 | 46515230    |
| SC50/SC46    | 102 | 96  | 130 | 145 | 9  | 60 | 4 | 9,0 | 46515240    |

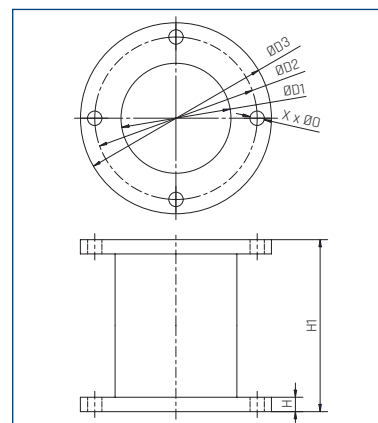


## Króciec dwukołnierzowy



WYMIARY [mm]

| Typ          | ØD1 | ØD2 | ØD3 | H  | H1 | X | Ø0 | nr artykułu |
|--------------|-----|-----|-----|----|----|---|----|-------------|
| SC10         | 46  | 68  | 80  | 6  | 72 | 4 | 6  | 46515160    |
| SC20         | 46  | 68  | 80  | 6  | 72 | 4 | 6  | 46515160    |
| DSC/PSC/SC30 | 57  | 85  | 100 | 6  | 72 | 4 | 6  | 46515170    |
| DSC/PSC/SC40 | 70  | 110 | 130 | 10 | 80 | 4 | 9  | 46515180    |
| SC50/SC46    | 90  | 130 | 145 | 9  | 78 | 4 | 9  | 46515190    |

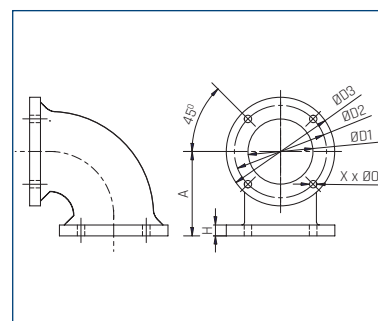


## Kolano

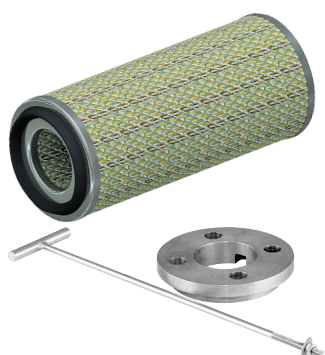


### WYMIARY [mm]

| Typ          | A   | ØD1 | ØD2 | ØD3 | H  | X | ØØ | nr artykułu |
|--------------|-----|-----|-----|-----|----|---|----|-------------|
| SC10         | 67  | 45  | 68  | 80  | 10 | 4 | 6  | 25515285    |
| SC20         | 67  | 45  | 68  | 80  | 10 | 4 | 6  | 25515285    |
| DSC/PSC/SC30 | 86  | 55  | 85  | 100 | 10 | 4 | 7  | 25515286    |
| DSC/PSC/SC40 | 105 | 75  | 110 | 130 | 10 | 4 | 9  | 25515287    |
| SC50/SC46    | 153 | 100 | 130 | 145 | 10 | 4 | 9  | 25515288    |



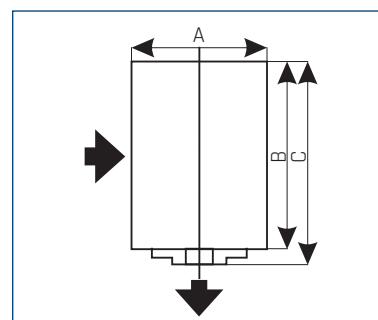
## Filtr + króciec do filtra\*



### WYMIARY [mm]

| Typ          | A   | B   | C   | nr artykułu filtra | nr artykułu króćca |
|--------------|-----|-----|-----|--------------------|--------------------|
| SC10         | 125 | 300 | 320 | 46515039           | 46515110           |
| SC20         | 125 | 300 | 320 | 46515039           | 46515110           |
| DSC/PSC/SC30 | 150 | 310 | 330 | 46515039           | 46515120           |
| DSC/PSC/SC40 | 200 | 380 | 400 | 46515038           | 46515130           |
| SC50/SC46    | 200 | 380 | 400 | 46515038           | 46515140           |

\* Stosować przy ssaniu czynnika z otoczenia.

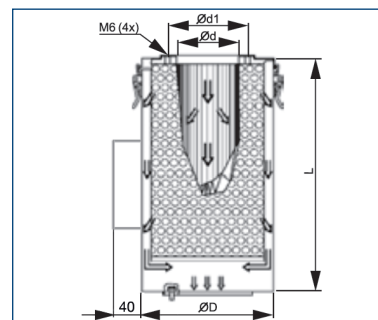


## Filtr kanałowy ze wskaźnikiem zabrudzenia



### WYMIARY [mm]

| Typ          | ØD  | Ød  | L   | Ød1 | nr artykułu |
|--------------|-----|-----|-----|-----|-------------|
| SC10/SC20    | 156 | 51  | 374 | 68  | 46515071    |
| DSC/PSC/SC30 | 156 | 63  | 374 | 68  | 46515076    |
| DSC/PSC/SC40 | 219 | 76  | 394 | 110 | 46515081    |
| SC50/SC46    | 219 | 101 | 394 | 130 | 46515086    |



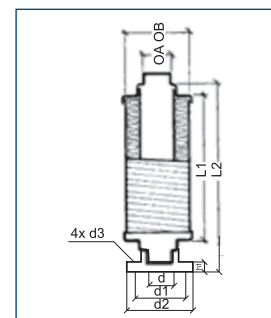
## Tłumik + króciec przyłączeniowy\*\*



### WYMIARY [mm]

| Typ          | A   | B   | d  | d1  | d2  | d3  | h1 | L1  | L2  | nr artykułu tłumika | nr artykułu króćca |
|--------------|-----|-----|----|-----|-----|-----|----|-----|-----|---------------------|--------------------|
| SC10         | 50  | 105 | 45 | 68  | 80  | 6,0 | 6  | 455 | 610 | 46525310            | 46515250           |
| SC20         | 50  | 105 | 45 | 68  | 80  | 6,0 | 6  | 455 | 610 | 46525310            | 46515250           |
| DSC/PSC/SC30 | 70  | 125 | 60 | 85  | 100 | 7,0 | 8  | 455 | 620 | 46525320            | 46515260           |
| DSC/PSC/SC40 | 80  | 125 | 75 | 110 | 130 | 9,0 | 10 | 455 | 630 | 46525330            | 46515270           |
| SC50/SC46    | 100 | 150 | 95 | 130 | 145 | 9,0 | 12 | 455 | 640 | 46525340            | 46515280           |

\*\* Stosować przy swobodnym wywiewie/ssaniu czynnika do/z otoczenia.

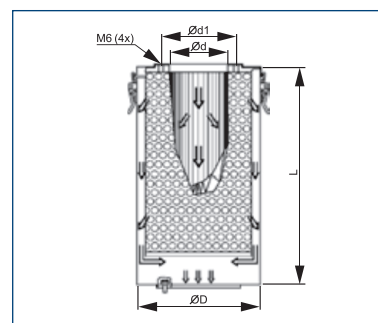


## Filtr kanałowy



WYMIARY [mm]

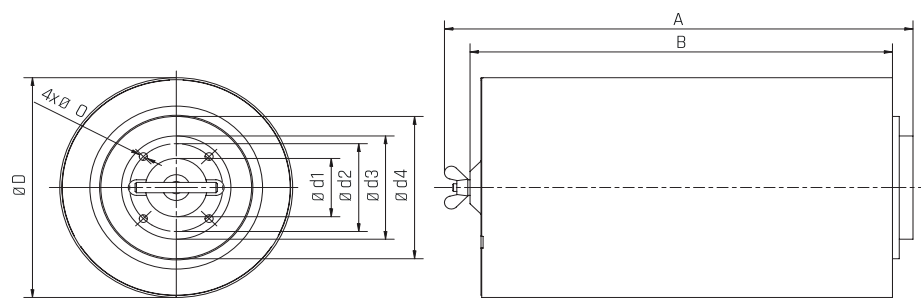
| Typ          | ØD  | Ød  | L   | Ød1 | nr artykułu |
|--------------|-----|-----|-----|-----|-------------|
| SC10/SC20    | 156 | 51  | 374 | 68  | 46515070    |
| DSC/PSC/SC30 | 156 | 63  | 374 | 68  | 46515075    |
| DSC/PSC/SC40 | 219 | 76  | 394 | 110 | 46515080    |
| SC50/SC46    | 219 | 101 | 394 | 130 | 46515085    |



## Filtr powietrza z osłoną



WYMIARY [mm]

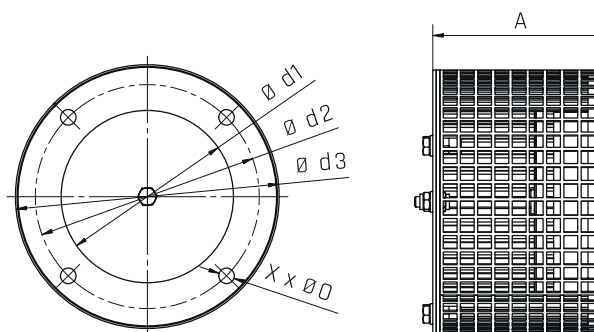


| Typ              | A   | B   | ØD  | Ød1 | Ød2 | Ød3 | Ød4 | Ø0 | nr artykułu |
|------------------|-----|-----|-----|-----|-----|-----|-----|----|-------------|
| SC10 SC20        | 324 | 309 | 170 | 45  | 68  | 80  | 110 | 6  | 46515151    |
| SC30/DSC30/PSC30 | 344 | 309 | 170 | 55  | 85  | 100 | 120 | 7  | 46515152    |
| SC40/DSC40/PSC40 | 430 | 394 | 265 | 75  | 110 | 130 | 150 | 10 | 46515153    |
| SC46/SC50        | 438 | 394 | 265 | 100 | 130 | 145 | 200 | 10 | 46515154    |

## Kołnierz z zaworem



WYMIARY [mm]

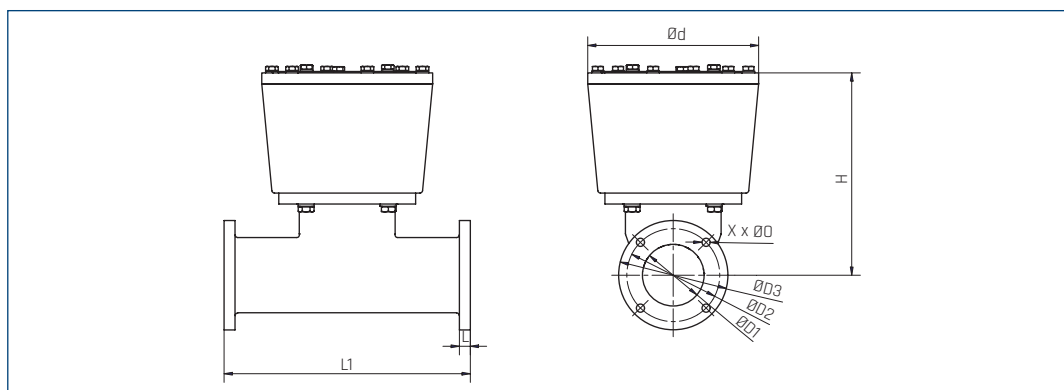


| Typ              | A   | Ød1 | Ød2 | Ød3 | X | Ø0 | nr artykułu |
|------------------|-----|-----|-----|-----|---|----|-------------|
| SC10 SC20        | 100 | 45  | 68  | 83  | 4 | 6  | 46515511    |
| SC30/DSC30/PSC30 | 100 | 55  | 85  | 103 | 4 | 7  | 46515512    |
| SC40/DSC40/PSC40 | 100 | 75  | 110 | 133 | 4 | 9  | 46515513    |
| SC46/SC50        | 100 | 100 | 130 | 153 | 4 | 9  | 46515514    |

## Zawór przeciżeniowy



WYMIARY [mm]

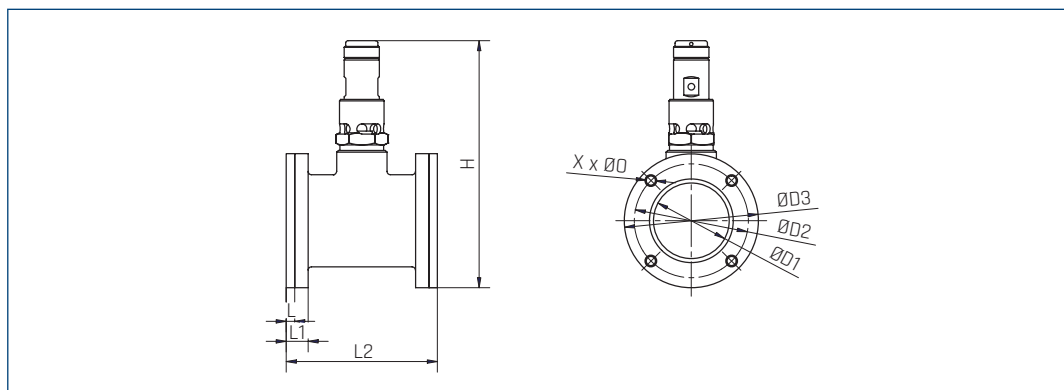


| Typ                     | Ød  | ØD1 | ØD2 | ØD3 | H   | L | L1  | X | Ø0 | nr artykułu |
|-------------------------|-----|-----|-----|-----|-----|---|-----|---|----|-------------|
| SC10 NA TŁOCZENIE       | 125 | 46  | 68  | 80  | 150 | 8 | 180 | 4 | 6  | 46515520    |
| SC10 NA SSANIE          | 125 | 46  | 68  | 80  | 150 | 8 | 180 | 4 | 6  | 46515522    |
| SC20 NA TŁOCZENIE       | 125 | 46  | 68  | 80  | 150 | 8 | 180 | 4 | 6  | 46515524    |
| SC20 NA SSANIE          | 125 | 46  | 68  | 80  | 150 | 8 | 180 | 4 | 6  | 46515526    |
| SC30/PSC30 NA TŁOCZENIE | 125 | 57  | 85  | 100 | 150 | 8 | 180 | 4 | 7  | 46515530    |
| SC30/PSC30 NA SSANIE    | 125 | 57  | 85  | 100 | 150 | 8 | 180 | 4 | 7  | 46515532    |
| DSC30 NA TŁOCZENIE      | 125 | 57  | 85  | 100 | 150 | 8 | 180 | 4 | 7  | 46515534    |
| DSC30 NA SSANIE         | 125 | 57  | 85  | 100 | 150 | 8 | 180 | 4 | 7  | 46515536    |
| SC40/PSC40 NA TŁOCZENIE | 180 | 70  | 110 | 130 | 210 | 8 | 206 | 4 | 9  | 46515540    |
| SC40/PSC40 NA SSANIE    | 180 | 70  | 110 | 130 | 210 | 8 | 206 | 4 | 9  | 46515542    |
| DSC40 NA TŁOCZENIE      | 180 | 70  | 110 | 130 | 210 | 8 | 206 | 4 | 9  | 46515544    |
| DSC40 NA SSANIE         | 180 | 70  | 110 | 130 | 210 | 8 | 206 | 4 | 9  | 46515546    |
| SC46/SC50 NA TŁOCZENIE  | 180 | 96  | 130 | 145 | 210 | 8 | 206 | 4 | 9  | 46515550    |
| SC46/SC50 NA SSANIE     | 180 | 96  | 130 | 145 | 210 | 8 | 206 | 4 | 9  | 46515552    |

## Zawór nadciśnieniowy



WYMIARY [mm]

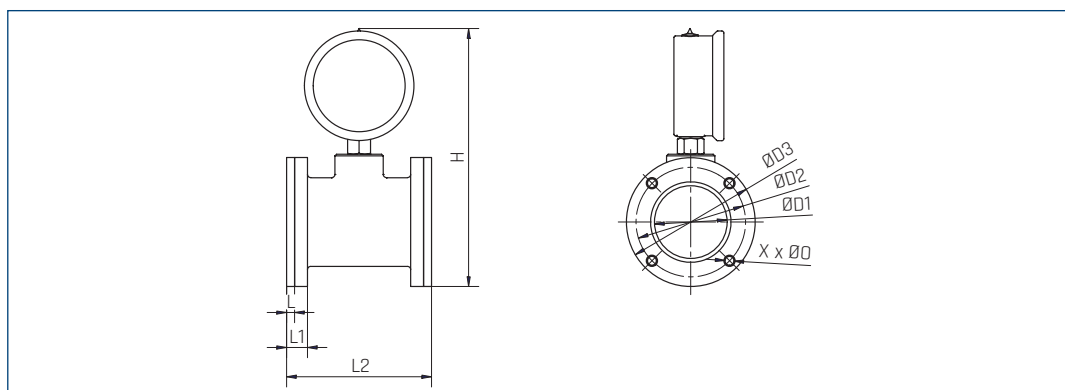


| Typ          | ØD1 | ØD2 | ØD3 | H   | L | L1 | L2 | X | Ø0  | nr artykułu 0-200 mbar | nr artykułu 0-300 mbar | nr artykułu 0-400 mbar |
|--------------|-----|-----|-----|-----|---|----|----|---|-----|------------------------|------------------------|------------------------|
| SC10         | 45  | 68  | 80  | 148 | 5 | 13 | 90 | 4 | 5,5 | 72000058               | 72000059               | -                      |
| SC20         | 45  | 68  | 80  | 148 | 5 | 13 | 90 | 4 | 5,5 | 72000058               | 72000059               | -                      |
| DCS/PSC/SC30 | 58  | 85  | 104 | 172 | 5 | 13 | 90 | 4 | 6,5 | -                      | 72000060               | -                      |
| DCS/PSC/SC40 | 75  | 110 | 130 | 197 | 5 | 13 | 90 | 4 | 9   | 72000062               | 72000063               | -                      |
| SC46/SC50    | 100 | 130 | 150 | 218 | 5 | 13 | 90 | 4 | 9   | 72000064               | 72000065               | 72000066               |

## Manometr



WYMIARY [mm]

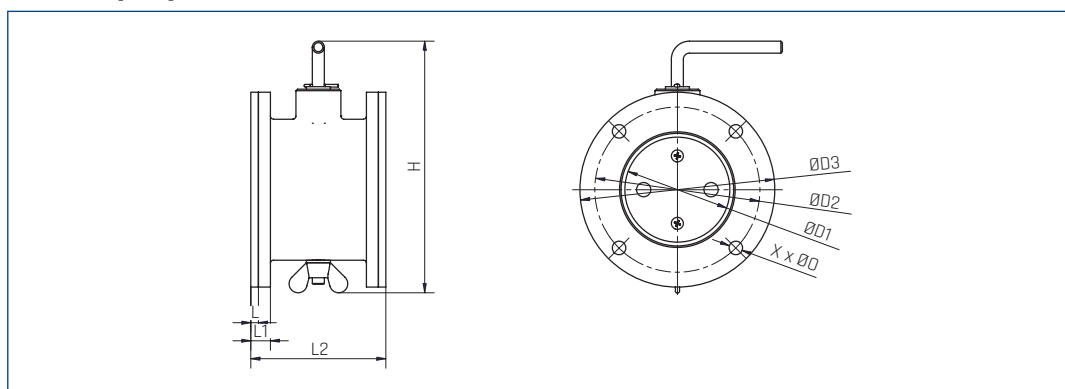


| Typ          | ØD1 | ØD2 | ØD3 | H   | L | L1 | L2 | X | Ø0  | nr artykułu manometr nadciśnieniowy | nr artykułu manometr podciśnieniowy |
|--------------|-----|-----|-----|-----|---|----|----|---|-----|-------------------------------------|-------------------------------------|
| SC10         | 45  | 68  | 80  | 159 | 5 | 13 | 90 | 4 | 5,5 | 46515460                            | 46515461                            |
| SC20         | 45  | 68  | 80  | 159 | 5 | 13 | 90 | 4 | 5,5 | 46515460                            | 46515461                            |
| DCS/PSC/SC30 | 58  | 85  | 104 | 183 | 5 | 13 | 90 | 4 | 6,5 | 46515470                            | 46515471                            |
| DCS/PSC/SC40 | 75  | 110 | 130 | 209 | 5 | 13 | 90 | 4 | 9   | 46515480                            | 46515481                            |
| SC46/SC50    | 100 | 130 | 150 | 229 | 5 | 13 | 90 | 4 | 9   | 46515490                            | 46515491                            |

## Przepustnica ręczna

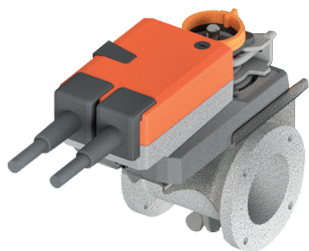


WYMIARY [mm]

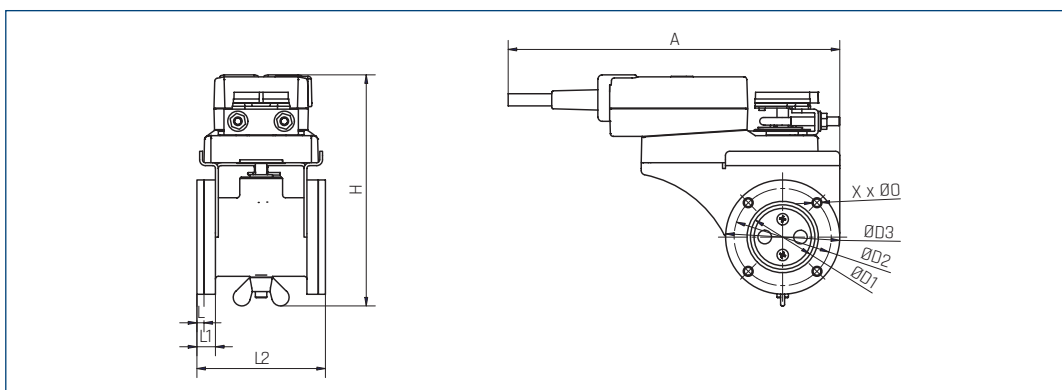


| Typ          | ØD1 | ØD2 | ØD3 | H   | L | L1 | L2 | X | Ø0  | nr artykułu |
|--------------|-----|-----|-----|-----|---|----|----|---|-----|-------------|
| SC10         | 45  | 68  | 80  | 122 | 5 | 13 | 90 | 4 | 5,5 | 46515162    |
| SC20         | 45  | 68  | 80  | 122 | 5 | 13 | 90 | 4 | 5,5 | 46515162    |
| DCS/PSC/SC30 | 58  | 85  | 104 | 143 | 5 | 13 | 90 | 4 | 6,5 | 46515172    |
| DCS/PSC/SC40 | 75  | 110 | 130 | 168 | 5 | 13 | 90 | 4 | 9   | 46515182    |
| SC46/SC50    | 100 | 130 | 150 | 189 | 5 | 13 | 90 | 4 | 9   | 46515192    |

## Przepustnica automatyczna

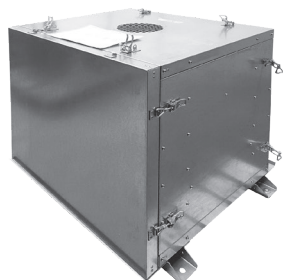


### WYMIARY [mm]

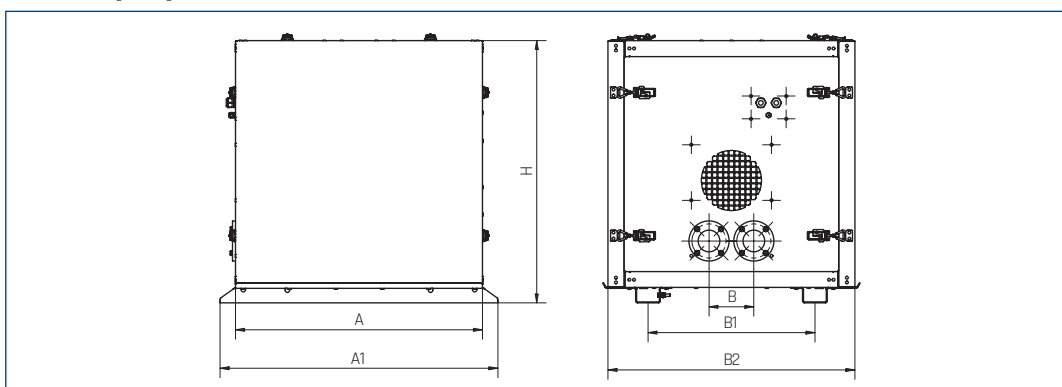


| Typ          | A   | ØD1 | ØD2 | ØD3 | H   | L | L1 | L2 | X | Ø0  | nr artykułu |
|--------------|-----|-----|-----|-----|-----|---|----|----|---|-----|-------------|
| SC10         | 202 | 45  | 68  | 80  | 162 | 5 | 13 | 90 | 4 | 5,5 | 46515163    |
| SC20         | 202 | 45  | 68  | 80  | 162 | 5 | 13 | 90 | 4 | 5,5 | 46515163    |
| DCS/PSC/SC30 | 214 | 58  | 85  | 104 | 182 | 5 | 13 | 90 | 4 | 6,5 | 46515173    |
| DCS/PSC/SC40 | 227 | 75  | 110 | 130 | 207 | 5 | 13 | 90 | 4 | 9   | 46515183    |
| SC46/SC50    | 237 | 100 | 130 | 150 | 228 | 5 | 13 | 90 | 4 | 9   | 46515193    |

## Obudowa dźwiękochłonna



### WYMIARY [mm]



| Typ          | A   | A1   | B   | B1  | B2  | H   | nr artykułu |
|--------------|-----|------|-----|-----|-----|-----|-------------|
| SC10         | 600 | 700  | 90  | 341 | 600 | 650 | 70510321    |
| SC20         | 600 | 700  | 90  | 341 | 600 | 650 | 70510321    |
| DCS/PSC/SC30 | 700 | 800  | 126 | 441 | 700 | 750 | 70510322    |
| DCS/PSC/SC40 | 800 | 900  | 145 | 541 | 800 | 850 | 70510323    |
| SC46/SC50    | 900 | 1000 | 160 | 613 | 900 | 950 | 70510324    |