



CK-40F, CK-60F



CK-35N

APPLICATION

CK fans are designed for ventilation of kitchen extracts.

CONSTRUCTION

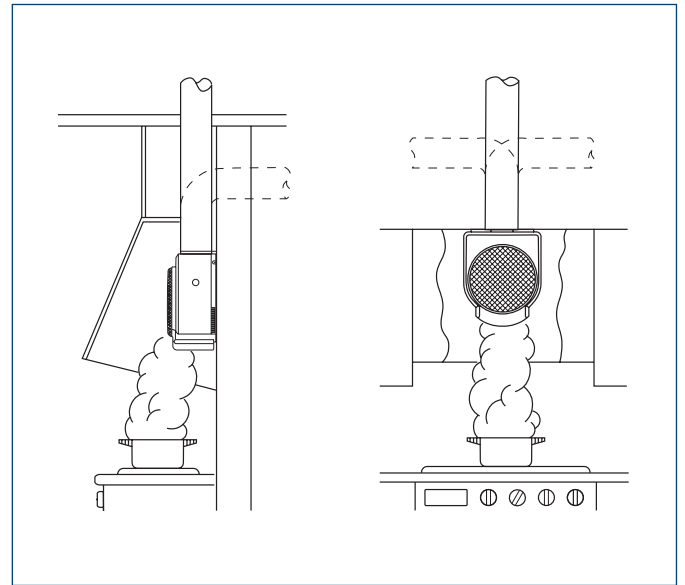
Centrifugal extractors of unique construction. Easily removable casing, rotor unscrews for easy cleaning, a container for condensate and teflon coated filter. Suitable for operation with air temperature up to 60°C.

MOTOR

All extractors are class II insulation fitted with centrifugal impeller and single phase 230V-50Hz speed controllable motor.

Electrical Wiring Diagrams: Fig. 1, 9, 15, p. 924-928.

INSTALLATION

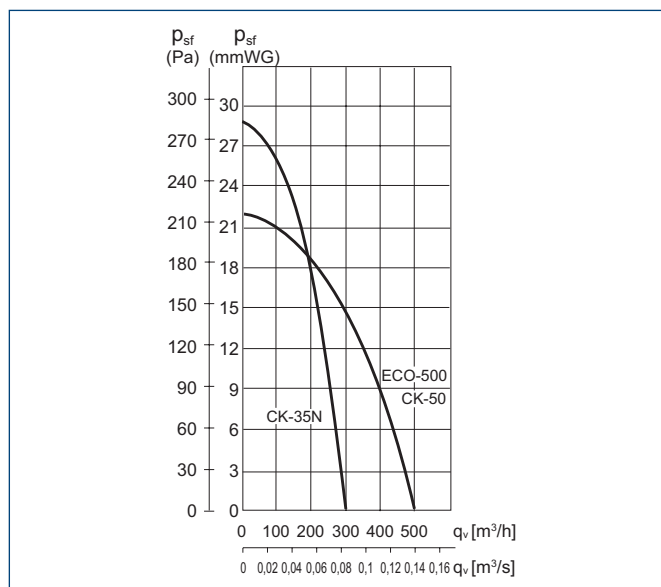
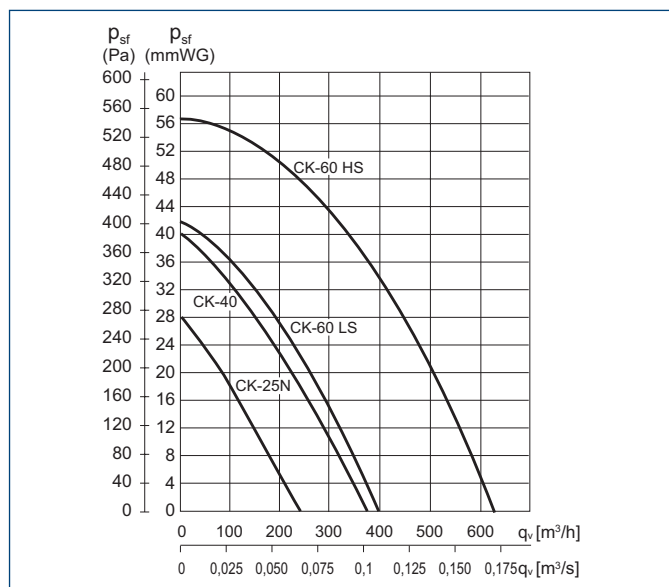


TECHNICAL CHARACTERISTICS

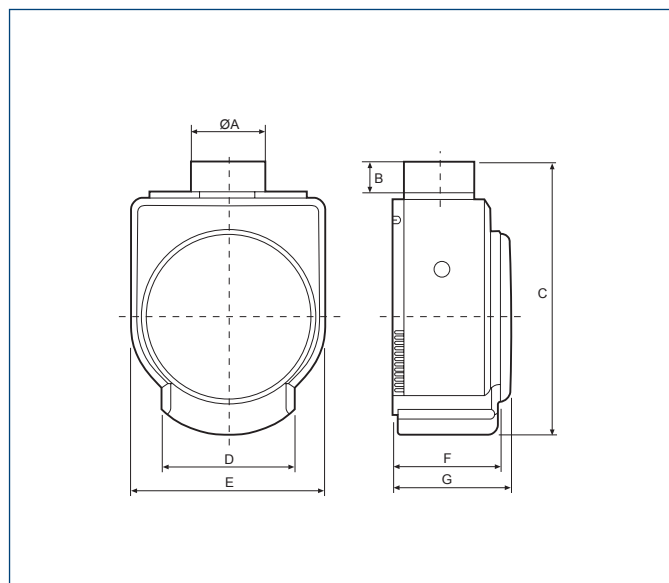
Type		speed	absorbed power at free discharge	voltage	airflow at free discharge	sound pressure level*	weight	article number
		[r.p.m.]	[W]	[V]	[m ³ /h]	[dB(A)]	[kg]	
CK-40F		2350	70	230	360	55	2,7	40020810
CK-35N		2000	125	230	350	56	3,2	40020806
CK-60F	HS	2475	160	230	625	59	4,7	40020820
	LS	1740	96	230	415	54		
CK-25		2250	40	230	250	50	1,9	40020807
CK-50		1050	120	230	480	52	3,5	40020811
ECO-500		1050	90	230	480	52	3,5	40020821

* Sound pressure level measured at 1,5 m from the fan inlet.

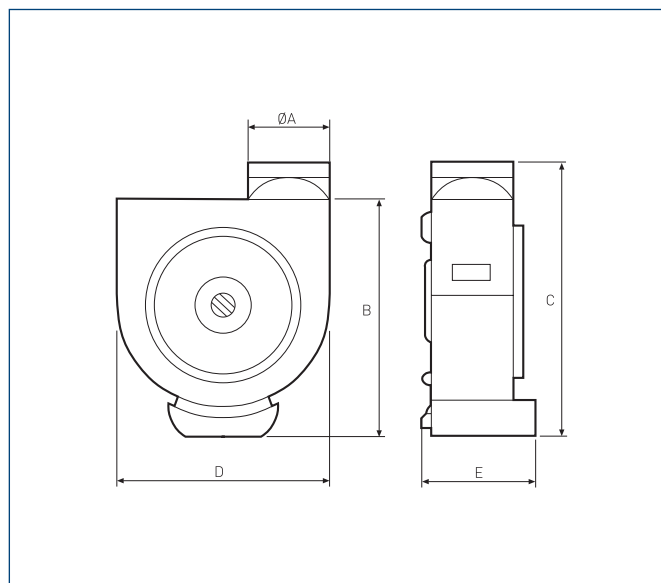
PERFORMANCE CURVES



DIMENSIONS [mm]



Type	ØA	B	C	D	E	F	G
CK 25N	98	34	304	149	218	-	127
CK 40F	98	42	370	179	266	140	162
CK 60F	116,5	42	410	180	293,5	145	174



Type	ØA	B	C	D	E
CK 35N	110	292	337	230	130
CK 50	115	315	375	315	132
ECO 500	115	315	375	315	132