



TDM-100, TDM-200



TDM-300

### APPLICATION

The TDM series of axial fans are designed for ventilation of small and medium-size bathrooms, kitchens, etc.

### CONSTRUCTION

Axial fan manufactured from injection molded plastic, for connection in short air ducts with 100 or 125 mm diameter circular ducting. Suitable for operation within temperatures up to 40°C.

### MOTOR

Single phase motor 230V-50Hz, protected against overheating. The fan is protected against electric shock Class II and has degree of protection IP X4. Electrical Wiring Diagrams: Fig. 15-21, p. 928.



Installation inside the wall to exchange heat between adjoining rooms and exhaust air from the spaces.

### ACCESSORIES



Exterior back draft shutter  
PER-W



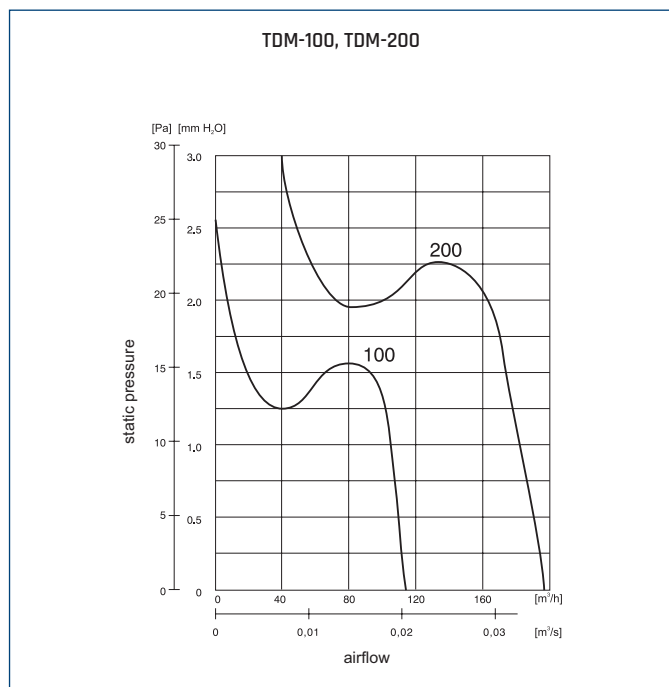
Flexible aluminium ducting  
VENTAL

## TECHNICAL CHARACTERISTICS

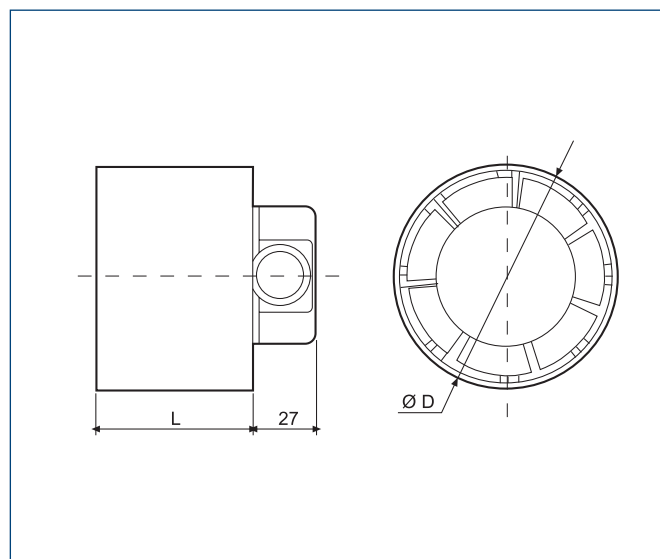
Type	speed	maximum absorbed power	voltage	airflow at free discharge	sound pressure level*	weight	article number
	[r.p.m.]	[W]	[V]	[m <sup>3</sup> /h]	[dB(A)]	[kg]	
TDM-100	2500	13	230	110	40	0,4	40020800
TDM-200	2600	25	230	200	44,5	0,6	40020805
TDM-300	2200	35	230	300	45	1,5	40020808

\* Sound pressure level measured at 1,5 m from the fan inlet.

## PERFORMANCE CURVES



## DIMENSIONS [mm]



Type	Ø D	L
TDM-100	99	67,5
TDM-200	118	78,0

